

tyco

intrusion



To download the full manual and register your product, please visit:
www.DSC.com/m/29010102 or scan the QR code to the right.



HS3032 / HS3128 / HS3248 User Guide



PowerSeries Pro



WARNING: This manual contains information on limitations regarding product use and function and information on the limitations as to liability of the manufacturer. The entire manual should be carefully read.

Table of Contents

1.0 Quick Reference	4
2.0 Understanding Your Keypad	6
2.1 Panel and keypad models	6
3.0 The PowerSeries Pro Security System	7
3.1 General System Operation	7
3.2 Testing the System	7
3.3 Performing a Keypad and Siren test	8
3.4 Monitoring	8
3.5 Maintenance	8
4.0 Arming the System	9
4.1 Away Arming the System with the Keypad	9
4.1.1 Arming the system in Away mode	9
4.1.2 Canceling the arming sequence	10
4.2 Arming the system in Stay mode	10
4.3 Canceling the arming sequence	10
4.3.1 Silent Exit Delay	10
4.4 Exit Delay Time Restart	11
4.5 Alarm Cancel Window	11
4.6 Using 2-way Wireless Keys and Proximity Tags	11
4.7 Arming the System with a 2-Way Wireless Key	11
4.8 Arming the System with a Proximity Tag	11
4.9 Disarming the System	12
4.10 Disarming the system with a keypad	12
4.11 Disarming the system with a 2-way Wireless Key	12
4.12 Disarming the system with a proximity tag	12
4.12.1 Disarming error	12
5.0 Emergency Keys	13
6.0 Access Code Types	14
6.0 Opening the Access Codes menu	15
6.0 Adding, Changing and Deleting Access Codes	15
6.1 Adding or changing user access codes	15
6.2 Burglary Verification	15
6.3 Swinger Shutdown	16
6.4 Call Waiting	16
6.5 Fire Alarm Verification	16
6.6 System Lockout Due To Invalid Attempts	16
6.7 User Labels	16
7.0 Troubleshooting	20
8.0 Access Codes	27
8.1 Sensor/Zone Information	28
9.0 Reference Sheets	29
9.1 System Information	29
9.2 Service Contact Information	29
10.0 Safety Instructions	30
11.0 Locating Detectors and Escape Plan	31
11.1 Smoke Detectors	31
11.2 Fire Escape Planning	32
11.3 Carbon Monoxide Detectors	33
12.0 Regulatory Agency Statements	34
12.1 FCC COMPLIANCE STATEMENT	34
12.2 IMPORTANT INFORMATION	34
12.3 Incidence of Harm	35
12.4 Changes in Telephone Company Equipment or Facilities	35
12.5 Equipment Maintenance Facility	35

12.6 Additional Information	35
12.7 INNOVATION, SCIENCE & ECONOMIC DEVELOPMENT CANADA (ISED CANADA)	35
12.8 FCC AND ISED CANADA FOR WIRELESS KEYPADS	36
12.9 EN Compliance	37
12.10 EUROPEAN CE COMPLIANCE STATEMENT	38
13.0 EULA	39

1.0 Quick Reference













The PowerSeries Pro Alarm System uses shortcut keys to access options or features on all models of keypads. When using an LCD keypad, the PowerSeries Pro alarm system additionally uses a menu based navigation system. Use the scroll keys to view the list of options contained within the current menu.



For detailed information about the PowerSeries Pro alarm system, refer to the full online manual, which can be accessed from the DSC website.



















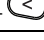



Note: Some features must be enabled by the installer.

Note: Bypass Groups are not permitted in UL listed installations.

For SIA CP-01 classified installations, the Swinger Shutdown feature shall shut down the zone after a programmable number of trips (the programmed default is 2). The zone is restored after a manual reset by entering the access code at the time of disarming the alarm system, or it is reset automatically after 48 hours with no trips on any zones.

Status Lights		Function Keys	Emergency Keys
	Ready - Indicates system normal. Must be on to arm the system. All zones must be secured or bypassed and the system disarmed for this light to activate.	 Stay Arm	 Fire Alarm
	Armed- Indicates the system is armed. If the Ready light and the Armed light are both on, an Exit Delay is in progress.	 Away Arm	 Medical Alarm
	Trouble - On indicates a system malfunction or tamper. Flashing indicates that the keypad has a low battery condition. Follow the instructions displayed or enter [*][2] to view trouble. Correcting the trouble turns off the indicator.	 Chime	 Panic Alarm
	AC Power - Indicates AC Power is present. The AC Power light turns off when AC is absent.	 Reset	
		 Quick Exit	

Action	Press
Away Arm	 for 2 seconds + [Access Code†]
Stay Arm	 for 2 seconds + [Access Code†]
Night Arm	When armed in stay mode [*][1] + [Access Code†]
Disarm	[Access Code]
No-Entry Arming	[*][9] + [Access Code†]
Quick Arm /Quick Exit	[*][0]
Cancel Arming Sequence	[Access Code]
Bypassing - All bypass commands begin with [*][1] + [Access Code†]	
Bypass Individual Zones	[3 Digit Zone #]
Bypass All Open Zones	[9][9][8]

Action	Press
Recall Last Bypass	[9][9][9]
Clear Bypass	[0][0][0] OR [Scroll] Bypass Options + [*] +   Clear Bypasses + [*]
Program Bypass Group	[3 digit zone #s] + [9][9][5] OR [3 digit zone #s] +   Bypass Options + [*] +   Prg Bypass Group + [*]
Load Bypass Group	[9][9][1] OR   Bypass Options + [*] + [Scroll] Bypass Group + [*]
Common Functions	
Set Time and Date	[*][6] [Master Code] + [0][1]
Turn Chime ON/OFF	[*][4] + [Access Code†] OR 
Change Brightness	[*][6] [Master Code] + [1][2] +  
Change Contrast	[*][6] [Master Code] + [1][3] +  
Buzzer Volume	[*][6] + [Master Code] + [1][4] +  
Add/Delete User	[*][5] + [Master Code] + [Access Code] + 1
Reset Smoke Detectors	 OR [*][7][2]
View Troubles	[*][2] + [Access Code†] +  
View Alarms	[*][3] + [Access Code†] +  
Perform System Test	[*][6] + [Master Code] + [0][4] +  

† If configured by the installer.

2.0 Understanding Your Keypad

The PowerSeries Pro Alarm System supports a variety of wireless and hardwired keypads.

2.1 Panel and keypad models

This guide contains information for the following PowerSeries Pro panels:

- HS3032
- HS3228
- HS3248

These panels are compatible with the keypad models in the following table:

Note: In the following table, the X character refers to one of the following PG device operating frequencies: 4 refers to 433MHz, 8 refers to 868MHz, and 9 refers to 912-919MHz UL/ULC systems.

Model	Description
HS2LCDPRO	Alphanumeric LCD keypad with proximity tag support
HS2LCDRFPROx	Alphanumeric LCD keypad with wireless receiver and proximity tag support
HS2LCDWFPROx	Wireless alphanumeric LCD keypad with proximity tag support
HS2LCDWFVPROx	Wireless alphanumeric LCD keypad with proximity tag support and voice prompt
HS2TCHPRO	Touch screen keypad with proximity support with a white enclosure
HS2TCHPROBLK	Touch screen keypad with proximity support with a black enclosure

Table 1: Keypad models

Note: This guide contains information for the HS2LCDPRO, HS2LCDRFPROx, and the HS2LCDWFVPROx keypad models. For information on the other keypad models, refer to the *PowerSeries Pro User Manual (29010102)*, and the *PowerSeries Pro HS2TCHPRO/HS2TCHPRO(BLK) User Manual (29010319)*.

3.0 The PowerSeries Pro Security System

The PowerSeries Pro has been designed to provide the greatest possible flexibility and convenience. Read this manual carefully and have the installer provide instructions on how to operate the system and which features have been implemented. All users of this system should be equally instructed in its use.

Fill out the "System Information" section with zone information and access codes and store this manual in a safe place for future reference.

Note: The PowerSeries Pro security system includes specific false alarm reduction features and is classified in accordance with ANSI/ SIA CP-01-2014 Control Panel Standard - Features for False Alarm Reduction. Please consult the installer for further information regarding false alarm reduction features built into the system as all are not covered in this manual.

3.1 General System Operation

This security system is made up of a PowerSeries Pro control panel, one or more keypads and various sensors and detectors. The metal cabinet contains the system electronics and standby battery. The keypad is used to send commands to the system and to display the current system status. The keypad(s) are mounted in a convenient location inside the protected premises close to the entry/exit door(s). The security system has several zones of area protection, each connected to one or more sensors (motion detectors, glassbreak detectors, door contacts, etc.).

Note: Only the installer or service professional shall have access to the control panel.

3.2 Testing the System

Tests all system keypad LEDs, keypad sounders, bells and/or sirens. To ensure the system continues to function as intended, test your system weekly.

IMPORTANT: For UL HOME HEALTH CARE listed applications the system shall also be tested weekly without AC power. To remove AC from the control unit, remove the screw from the restraining tab of the plug in adapter and remove the adapter from AC outlet. After completing the test of the unit using only the battery backup source, reconnect the plug in adapter and attach the screw through the restraining tab so that the adapter is securely attached to the outlet.

IMPORTANT: Should the system fail to function properly contact the installation company.

IMPORTANT: All smoke detectors must be tested by the smoke detector installer once per year.

3.3 Performing a Keypad and Siren test

LCD Display

1. Press [*][6] and enter the [Master Code] to access User Functions.

Press (*) for <>
User Functions

2. Press [04] or use the scroll keys to navigate to System Test and press [*]. All keypad sounders, bells/sirens and keypad LEDs activate for two seconds.

Press (*) for <>
System Test

3. Press [#] to return to the Ready state.

3.4 Monitoring

This system is capable of transmitting alarms, troubles and emergency information. If an alarm is initiated by mistake, immediately call the central station to prevent an unnecessary response.

Note: For CP-01 systems, the monitoring function must be enabled by the installer before it is operational. There is a communicator delay of 30 seconds in this control panel. It can be removed, or it can be increased up to 45 seconds, at the option of the end-user by consulting with the installer. Fire type alarms are normally reported without a delay.

3.5 Maintenance

Keep your alarm controller in optimal condition by following the instructions included within this manual and/or marked on the product. The end user and/or installer are responsible for disposing of used batteries according to local waste recovery and recycling regulations.

- Use the system test described in “Testing the System” to check the battery condition. We recommend, however, that the standby batteries be replaced every 3-5 years.
- For other system devices such as smoke detectors, motion detectors or glassbreak detectors, consult the manufacturer’s literature for testing and maintenance instructions.
- Lightly dust the security equipment with a slightly moistened cloth.

Note: Do not use abrasives, thinners, solvents or aerosol cleaners (spray polish) that may enter through holes in the Alarm Controller and cause damage. Do not wipe the front cover with alcohol, water or any other liquid.

4.0 Arming the System

The PowerSeries Pro system can be armed using a keypad, 2-way wireless key or a proximity tag.

Note: If your system is installed in accordance with SIA CP-01 Standard for False Alarm Reduction, the security system arms in Stay Arm mode if the exit delay time expires and no one has exited the premises.

4.1 Away Arming the System with the Keypad

Away mode activates the complete alarm system by:

- Arming all perimeter sensors.
- Arming all interior sensors.

4.1.1 Arming the system in Away mode

To arm the system in Away mode, complete the following steps:

1. Ensure that you close all windows and doors.
2. Ensure that the Ready indicator is on.

Note: You cannot arm the system until the Ready indicator is on.

3. Choose one of the following options:

- To quickly arm the system, press [*][0].
- To arm the system using the Away key, press and hold the Away key for 2 seconds. If it is necessary, enter an access code, or present a proximity tag to the keypad reader.

If the system bypasses a zone, a warning appears on the keypad.

Note: For European installations (EN50131 certified), you can not arm the system without a valid user code. If you do not have a valid user code, do not attempt to initiate the arming sequence for the alarm system.

After you initiate the arming sequence, the system completes the following actions:

- The Armed indicator turns on.
- The Ready indicator remains lit.
- The Exit Delay time begins to count down.
- The keypad beeps six times, and continues to beep once each second. In the final 10 seconds, the system beeps rapidly.

Note: For European installations (EN50131 certified), the Armed indicator turns on only after the Exit Delay.

When the Exit Delay timer expires, the system is armed and the following actions occur:

- The Ready indicator turns off.
- The Armed indicator remains on.
- The keypad stops sounding.

Note: The installer configures the Exit Delay timer in accordance with the North American, Canadian, and European certification requirements (UL, ULC, and EN50131).

4.1.2 Canceling the arming sequence

To cancel the arming sequence, complete the following step:

- Enter your access code, or present a proximity tag to the keypad reader.

4.2 Arming the system in Stay mode

Stay mode partially activates the alarm system by Arming all perimeter sensors, and bypassing all interior sensors.

Note: For European installations (EN50131 certified), the Keypad Blanking feature activates after 30 seconds. You can see the status of the alarm system only after you enter a valid user code.

To arm the system in Stay mode, complete the following steps:

1. Ensure that you close all windows and doors.
2. Ensure that the Ready indicator is on.
3. Press and hold the Stay key for 2 seconds. If it is necessary, enter an access code, or present a proximity tag to the keypad reader.

Note: Do not leave the premises.

If the system bypasses a zone, a warning appears on the keypad.

After you initiate the arming sequence, the system completes the following actions:

- The Armed indicator turns on.
- The Ready indicator remains lit.
- The Exit Delay timer begins counting down.

Note: For European installations (EN50131 certified), the Armed indicator turns on only after the Exit Delay.

When the Exit Delay timer expires, the system is armed and the following actions occur:

- The Ready indicator remains lit.
- The Armed indicator remains on.
- The keypad stops sounding.

4.3 Canceling the arming sequence

To cancel the arming sequence, complete the following step:

- Enter your access code, or present a proximity tag to the keypad reader.

4.3.1 Silent Exit Delay

If you arm the system using the Stay key or the No Arming method [*] [9]:

- The warning beep is silenced
- The exit time doubles only for that exit period (CP-01 versions only).

Note: For non CP-01 versions, Standard Exit Time is used.

4.4 Exit Delay Time Restart

The control panel provides an option where, if a entry/exit zone is tripped a second time prior to the end of the exit delay, the exit delay time restarts. The exit delay timer can only be restarted once.

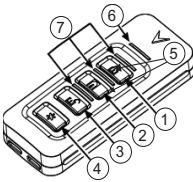
4.5 Alarm Cancel Window

The control panel provides a period of time in which the user can cancel the alarm transmission (minimum duration is 5 minutes). If the programmed alarm transmission delay has expired, canceling an alarm sends a message to the monitoring station. Upon a successful transmission of the cancellation message, the keypad beeps 6 times. Must be enabled and configured by the installer.

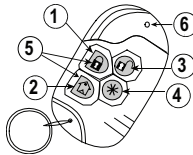
Note: For CP-01 systems, alarm transmission delay must not exceed 45 seconds.

4.6 Using 2-way Wireless Keys and Proximity Tags

The 2-way wireless key allows users the ability to readily arm/disarm their system, and to call for help. For information on enrolling wireless keys see "User Labels".



1. Away Arm
2. Stay Arm
3. Disarm
4. Panic
5. Command Output 1
6. Message LED
7. Status LEDs



1. Away Arm
2. Stay Arm
3. Disarm
4. Panic
5. Command Output 1
6. LED

Note: The Panic feature has not been evaluated by UL. All wireless key buttons are programmable. Verify the functions assigned to each key with your installer. When using compatible wireless keys there is one bell squawk for arming and two bell squawks for disarming.

4.7 Arming the System with a 2-Way Wireless Key

If configured, the PowerSeries Pro system can be armed using the wireless keys provided with your alarm system. To Arm the system with a 2-way wireless key, press the desired Arming mode button when the system Ready indicator is on.

4.8 Arming the System with a Proximity Tag

Proximity tags can be used to arm/disarm the system or to perform a programmed function (e.g. used in place of entering an access code or to unlock a storage room door). To Arm the system with a proximity tag

- Present your proximity tag to a keypad with a proximity sensor when the system Ready indicator is on.
- If configured by your installer, enter your access code.

Note: When arming with a proximity tag, the system arms in Away mode if you exit the premises. The system arms in Stay mode if a motion sensor is installed and you don't exit the premises.

4.9 Disarming the System

Depending on your system configuration, there are multiple methods you can use to disarm your system. You can disarm the system using a keypad, 2-way wireless key or a proximity tag:

4.10 Disarming the system with a keypad

Note: When you enter the premises, the keypad sounds. To avoid an alarm condition, you must disarm the system within a specific number of seconds.

To disarm the system with a keypad, complete the following step:

- Enter your access code, or present a proximity tag to the keypad reader.

4.11 Disarming the system with a 2-way Wireless Key

Note: When you enter the premises, the keypad sounds. To avoid an alarm condition, you must disarm the system within a specific number of seconds.

To disarm the system with a 2-way Wireless Key, complete the following step:

- When the system is armed, and the Armed indicator is on, press the Disarm key.

Note: After you disarm a system with a keypad using a 2-way wireless key, ensure that you check the alarm memory to determine if any alarms occurred during the armed period.

4.12 Disarming the system with a proximity tag

Note: When you enter the premises, the keypad sounds. To avoid an alarm condition, you must disarm the system within a specific number of seconds.

To disarm the system with a proximity tag, complete the following step:

- When the system is armed, and the Armed indicator is on, present a proximity tag to the proximity sensor on the keypad.

Note: The installer programs the Duration of Entry timer, and advises on the duration of the timer. Valid entries are between 30 seconds and 4 minutes). For SIA CP-01 classified installations, the entry delay must not exceed 45 seconds.

4.12.1 Disarming error

If your code is invalid, the system does not disarm and a 2-second error tone sounds. If this occurs, press [#] and re-enter your access code.

5.0 Emergency Keys

IMPORTANT: EMERGENCY USE ONLY!

Pressing both the emergency keys generates a Fire, Medical, or Panic Alarm, and alerts the monitoring station. To generate a medical alarm, press both medical alarm keys simultaneously for 2 seconds. The keypad beeps to indicate the alarm input has been accepted and sent to the monitoring station.



Fire Alarm



Medical Alarm



Panic Alarm

Verify with your alarm company that your system is equipped with emergency keys.

Having an optional audio verification module installed on your system allows the monitoring station to open 2-way communication when notified of an alarm.

Note: Fire keys can be disabled by the installer.

6.0 Access Code Types

The alarm system provides the following user access code types:

Code	Add User	Delete User	Arm	Disarm	Access Codes	User Functions	Installer
Master	All	All	Yes	Yes	Yes	Yes	No
User	No	No	Yes	Yes	No	No	No
Supervisor	All but Master	All but Master	Yes	Yes	Yes	Yes	No
Duress	No	No	Yes	Yes	No	No	No
One-time user	No	No	Yes	1/day	No	No	No

Installer and Master codes are system codes that can be changed but not deleted. The other codes are user-defined and can be added or deleted as necessary. By default, access codes have the same partition and attribute programming as the code used to program them.

Note: When using 8-digit access codes, the minimum number of variations are:

- 138888 for HS3032
- 100000 for HS3128
- 100000 for HS3248

There are no disallowed codes.

Master Code By default, the master code can access all partitions and can perform any keypad function. This code can be used to program all access codes, including the supervisor and duress codes. The master code number is [01].

User Codes This type of access code is used to arm and disarm assigned partitions and can access the User Functions menu.

Supervisor Codes Use when you want to allow additional users to manage access codes [*5] or User Functions [*6]. Supervisor codes created by the master code have the same attributes as the master code. Supervisor codes created by another supervisor code have the same attributes, except the supervisor attribute. After creation, attributes can be changed for all supervisor codes. For information on how to program a supervisor code see "Configuring additional User Options".

Duress Codes A Duress Code is used if forced to access your keypad under threat. Duress codes function the same as user access codes, except they transmit a Duress Report to your monitoring station when used to perform any function on the system. Duress codes cannot be used to change Access Codes [*5], User Functions [*6] or Installer [*8] programming. For information on how to program a Duress Code, see "Configuring additional User Options".

One Time User Code Used to grant someone one-time access to your home, i.e., a cleaning person or contractor. The ability to disarm the system is reset at midnight or when the one-time user code is keyed in by the master code user. For information on how to program a One Time User Code, see "Configuring Additional User Options".

6.0 Opening the Access Codes menu

1. Press [*][5]

OR

press [*] and use the scroll keys to navigate to Access Codes and press [*] to select.

2. Enter Master or Supervisor code.
3. Enter User #

or

scroll through the list of users and press [*].

4. To go back to the Ready state press [#].

LCD Display

Press (*) for <>
Access Codes

Press (*) for <>
{User Label}

6.0 Adding, Changing and Deleting Access Codes

Each configured user is assigned a number as follows:

- 01-72 for HS3032
- 01-1000 for HS3128
- 01-1000 for HS3248

A “-” beside a user ID indicates it is not programmed.

6.1 Adding or changing user access codes

To add or change user access codes, complete the following steps:

LCD Display

1. Enter the user number and press [*].

Press (*) for < >
Access Code

2. Enter a new 4, 6, or 8-digit access code. After entering a new code, the display indication is changed to “P” from “-”. If a duplicate code is entered, an error tone sounds. After the code is programmed, the keypad returns to the previous menu.

Enter New Code
AAAA

To Delete a User Access Code

3. Enter the user number and press [*].

LCD Display

Press (*) for <>
Access Code

4. Press [*]. The code is deleted and the flag is changed to “-” from “P”. After the code is programmed, the keypad returns to the previous menu.

Enter New Code
030516

Note: Any proximity tags associated with deleted user codes must be re-enrolled.

6.2 Burglary Verification

The PowerSeries Pro system includes cross zone and sequential detection features that require an activation on two or more zones, within a given time period, to generate a

confirmed alarm and immediate police response.

Note: This feature must be enabled and configured by your installer.

6.3 Swinger Shutdown

The Control Panel has a swinger shutdown feature that, when enabled, causes a programmable number of trips to shut down the zone. All burglary zone types have this feature enabled in CP-01 installations.

Note: This feature must be enabled and configured by the installer.

6.4 Call Waiting

The PowerSeries Pro system includes a programmable option for call waiting to prevent a call waiting line from interfering with the alarm verification process. This option is disabled by default.

Note: This feature must be enabled and configured by your installer.

6.5 Fire Alarm Verification

Fire Alarm Verification is an available option for Fire zones. If configured, and the conditions for alarm verification are met, the fire alarm sounds and an alarm transmission is sent to the monitoring station.

Note: This feature must be enabled and configured by your installer.

6.6 System Lockout Due To Invalid Attempts

If too many invalid access codes are entered, your system can be configured to automatically lockout input from all keypads, wireless keys and proximity tags for a programmed duration. If this happens, wait the programmed duration then try again.

When the system is locked out the following message is displayed.

LCD Display

Keypad Lockout

Note: This feature and lockout duration must be configured by your installer. Fire, Medical and Panic keys are still active during a System Lockout.

6.7 User Labels

Adding or editing labels is done by using a pre-programmed word library. The word library lists the full library and the associated three-digit code.

To Edit a User Label using the Word Library

LCD Display

1. From the applicable user, press [3] or use the scroll keys to scroll to User Labels and press [*].

Press (*) for <>
User Labels

2. Press [*] [*] to enter the word library.

Program Name
{User 1 Label 1}

3. Use the scroll keys to view the list of words or enter the 3-digit number to display the desired word. Press [*] to select the word.
4. To enter an additional word, repeat step 3.

Press (*) for {User Label}

Word Library											
00-1	Aborted	04-1	Communicator	08-1	Front	12-1	Memory	16-1	Screen	20-1	7
00-2	AC	04-2	Computer	08-2	Furnace	12-2	Menu	16-2	Second	20-2	8
00-3	Access	04-3	Control	08-3	Gallery	12-3	Monoxide	16-3	Sensor	20-3	9
00-4	Active	04-4	Date	08-4	Garage	12-4	Mother's	16-4	Service	20-4	A
00-5	Activity	04-5	Daughter's	08-5	Gas	12-5	Motion	16-5	Shed	20-5	B
00-6	Alarm	04-6	Degrees	08-6	Glass	12-6	No	16-6	Shock	20-6	C
00-7	All	04-7	Delay	08-7	Goodbye	12-7	North	16-7	Shop	20-7	D
00-8	AM	04-8	Den	08-8	Gym	12-8	Not	16-8	Side	20-8	E
00-9	Area	04-9	Desk	08-9	Hallway	12-9	Now	16-9	Siren	20-9	F
01-0	Arm	05-0	Detector	09-0	Heat	13-0	Number	17-0	Sliding	21-0	G
01-1	Armed	05-1	Dining	09-1	Hello	13-1	Off	17-1	Smoke	21-1	H
01-2	Arming	05-2	Disarmed	09-2	Help	13-2	Office	17-2	Son's	21-2	I
01-3	Attic	05-3	Door	09-3	High	13-3	OK	17-3	Sound	21-3	J
01-4	Auxiliary	05-4	Down	09-4	Home	13-4	On	17-4	South	21-4	K
01-5	Away	05-5	Download	09-5	House	13-5	Open	17-5	Special	21-5	L
01-6	Baby	05-6	Downstairs	09-6	In	13-6	Opening	17-6	Stairs	21-6	M
01-7	Back	05-7	Drawer	09-7	Install	13-7	Panic	17-7	Stay	21-7	N
01-8	Bar	05-8	Driveway	09-8	Interior	13-8	Partition	17-8	Sun	21-8	O
01-9	Basement	05-9	Duct	09-9	Intrusion	13-9	Patio	17-9	Supervisory	21-9	P
02-0	Bathroom	06-0	Duress	10-0	Invalid	14-0	Pet	18-0	System	22-0	Q
02-1	Battery	06-1	East	10-1	Is	14-1	Phone	18-1	Tamper	22-1	R
02-2	Bedroom	06-2	Energy	10-2	Key	14-2	Please	18-2	Temperature	22-2	S
02-3	Bonus	06-3	Enter	10-3	Kids	14-3	PM	18-3	Test	22-3	T
02-4	Bottom	06-4	Entry	10-4	Kitchen	14-4	Police	18-4	Time	22-4	U
02-5	Breezeway	06-5	Error	10-5	Latchkey	14-5	Pool	18-5	To	22-5	V
02-6	Building	06-6	Exercise	10-6	Laundry	14-6	Porch	18-6	Touchpad	22-6	W

Word Library											
02-7	Bus	06-7	Exit	10-7	Left	14-7	Power	18-7	Trouble	22-7	X
02-8	Bypass	06-8	Exterior	10-8	Level	14-8	Press	18-8	Unbypass	22-8	Y
02-9	Bypassed	06-9	Factory	10-9	Library	14-9	Program	18-9	Unit	22-9	Z
03-0	Cabinet	07-0	Failure	11-0	Light	15-0	Progress	19-0	Up	23-0	(Space)
03-1	Camera	07-1	Family	11-1	Lights	15-1	Quiet	19-1	West	23-1	'
03-2	Cancelled	07-2	Father's	11-2	Living	15-2	Rear	19-2	Window	23-2	-
03-3	Car	07-3	Feature	11-3	Load	15-3	Receiver	19-3	Zone	23-3	_
03-4	Carbon	07-4	Fence	11-4	Loading	15-4	Report	19-4	0	23-4	*
03-5	Central	07-5	Fire	11-5	Low	15-5	RF	19-5	1	23-5	#
03-6	Chime	07-6	First	11-6	Lower	15-6	Right	19-6	2	23-6	:
03-7	Closed	07-7	Floor	11-7	Main	15-7	Room	19-7	3	23-7	/
03-8	Closet	07-8	Force	11-8	Master	15-8	Safe	19-8	4	23-8	?
03-9	Closing	07-9	Foyer	11-9	Mat	15-9	Saver	19-9	5	23-9	
04-0	Code	08-0	Freeze	12-0	Medical	16-0	Schedule	20-0	6	24-0	

7.0 Troubleshooting

Occasionally, you may have a problem with your Alarm Controller or telephone line. If this happens, your Alarm Controller will identify the problem and displays an error message. Refer to the provided list when you see an error message on the display. If additional help is required, contact your distributor for service.

Note: There are no parts replaceable by the end-user within this equipment, except for the keypad batteries. Dispose of used batteries as per local rules and regulations.

Trouble Conditions

When a trouble condition occurs your Alarm System identifies the problem and displays an error message. Refer to the table below when you see an error message on the display. If additional help is required, contact your distributor for service.

When the system detects a trouble condition the following occurs:

- The Trouble indicator turns on.
- The keypad beeps once every 10 seconds. Press the [*] key to silence the keypad beeps.

Press [*][2] to examine troubles. When viewing troubles, the trouble indicator flashes to identify the level of trouble being viewed. One flash = level 1, two flashes = level 2 etc.

Arming of your system may be impeded by a trouble. To override this condition, enter [*][2], scroll to Acknowledge All Troubles and press [*] or enter 999.

Trouble Condition	Trouble Level 1	Description	Trouble Types	Trouble Level 2	Notification Level 3
Trouble numbers are used to view the trouble. Trouble Notification identifies the range that may be displayed on the keypad. When exploring the trouble levels, the Trouble indicator will flash to identify which level you are currently viewing.					
Service Required	01	Assorted Trouble types. Time and Date troubles can be resolved by resetting the Time/Date. To set Time/Date press [*][6][0][1]. For all other troubles call for service.	Bell Circuit	01	
			RF Jam	02	
			Loss of clock	04	
			Output 1 Fault	05	
			Warm Start		
			USB Wi-Fi Connected		
			Power Unit Fail System		
			Power Fail Bus Repeater		Repeater 1-8
			Power Fail 3A Supply		Power Supply 1-4
Overcurrent		Call for service			

Trouble Condition	Trouble Level 1	Description	Trouble Types	Trouble Level 2	Notification Level 3
Battery Trouble	02	The system has detected a battery trouble condition. Call for service.	Low Battery	01	n/a
			No Battery	02	n/a
			Low Battery High-current O/P	04	Module 1-4
			No Battery High-current O/P	05	Module 1-4
			Low Battery 1A Power Supply	07	Module 1-4
			No Battery 1A Power Supply	08	Power supply 1-4
			Low Battery Bus Repeater	10	Repeater 1-8
			No Battery Bus Repeater	11	Repeater 1-8
			Low Battery 1 3A Power Supply	13	Power Supply 1-4
			Low Battery 2 3A Power Supply	14	Power Supply 1-4
			No Battery 1 3A Power Supply	15	Power Supply 1-4
			No Battery 2 3A Power Supply	16	Power Supply 1-4

Trouble Condition	Trouble Level 1	Description	Trouble Types	Trouble Level 2	Notification Level 3
Bus Voltage	03	A module has detected a low voltage on its Corbus red terminal.	HSM2HOST	01	n/a
			Keypad	02	Keypad 1-16
			Zone Expander	04	Zone expander 1-30
			1A Power Supply	05	Power Module 1-4
			High-current Output	06	Output Module 1-4
			System Area	07	n/a
			Output Expander	08	Module 1-16
			Audio Module	09	n/a
			8 I/O Module	10	Module 1-30
			Bus Repeater	11	Repeater 1-8
			Bus Fault Bus Repeater	12	Repeater 1-8
			3A Power Supply	13	Power Supply 1-4
AC Troubles	04	<p>The system is experiencing loss of power.</p> <p>Call for service.</p> <p>If the building and/or neighborhood has lost electrical power, the system will continue to operate on battery for several hours.</p>	Zone	01	Zone label or 001-248
			Keypad	02	Keypad 1-16
			Siren	03	Siren 1-16
			Repeater	04	Repeater 1-8
			Power Supply	05	Power supply 1-4
			High-current Output	06	Output terminal 1-4
			System Area	07	n/a
			Bus Repeater	08	Repeater 1-8
			3A Power Supply	09	Power Supply 1-4

Trouble Condition	Trouble Level 1	Description	Trouble Types	Trouble Level 2	Notification Level 3
Device Faults	05	The system has detected an issue with one or more connected devices. Call for service.	Zone	01	Zone label or 001-248
			Keypad	02	Keypad 1-16
			Siren	03	Siren 1-16
			Repeater	04	Repeater 1-8
			Device Mask	06	Zone 001-248
			Gas	07	Zone 001-248
			Heat	08	Zone 001-248
			CO	09	Zone 001-248
			Freeze	10	Zone 001-248
			Probe Disconnected	11	Zone 001-248
			Fire	12	Zone 001-248
Device Battery	06	The system detected an issue with one or more device batteries. For zone, keypad and wireless key battery troubles see the accompanying documentation for how to change the batteries.	Zone	01	Zone label or 001-248
			Keypad	02	Keypad 1-16
			Siren	03	Siren 1-16
			Repeater	04	Repeater 1-8
			User	05	Wireless key 1-32

Trouble Condition	Trouble Level 1	Description	Trouble Types	Trouble Level 2	Notification Level 3
Device Tamperers	07	The system has detected a tamper condition with one or more devices on the system. Call for service.	Zone	01	Zone label or 001-248
			Keypad	02	Keypad 1-16
			Siren	03	Siren 1-16
			Repeater	04	Repeater 1-8
			Audio Station	05	Station 1-4
RF Delinquency	08	The system has detected wireless signal interference that is causing improper system operation. Call for service.	Zones	01	Zone label or 001-248
			Keypad	02	Keypad 1-16
			Siren	03	Siren 1-16
			Repeater	04	Repeater 1-8
Module Supervision	09	The system has detected a supervisory trouble condition with one or more modules on the system. Call for service.	HSM2HOST	01	n/a
			Keypad	02	Keypad 1-16
			Zone Expander	04	Expander 1-30
			Power Supply	05	Power Supply 1-4
			High-current Output	06	Output terminal 1-4
			Output Expander	08	Output module 1-16
			Audio Module	09	
			I/O Module	10	Module 1-30
			Bus Repeater	11	Repeater 1-8
3A Supply	12	Power Supply 1-4			

Trouble Condition	Trouble Level 1	Description	Trouble Types	Trouble Level 2	Notification Level 3
Module Tamperers	10	The system has detected a tamper condition with one or more modules on the system. Call for service.	HSM2HOST	01	n/a
			Keypad	02	Keypad 1-16
			Zone Expander	04	Zone Expander 1-30
			Power Supply	05	Power Supply 1-4
			High-current Output	06	Output terminal 1-4
			Output Expander	08	Output module 1-16
			Audio Module	09	n/a
			I/O Module	10	Module 1-30
			Bus Repeater	11	Repeater 1-8
			3A Power Supply	12	Power Supply 1-4
Communications	11	The system has detected a communication trouble. Call for service.	TLM	01	n/a
			FTC	02	Receiver 1-4
			SIM Lock	03	n/a
			Cellular	04	n/a
			Ethernet	05	n/a
			Receiver	06	Receiver 1-4
			Supervision Receiver	07	Receiver 1-4
			Alt Comm Fault	09	n/a
			Alt Comm FTC	10	Receiver 1-4

Trouble Condition	Trouble Level 1	Description	Trouble Types	Trouble Level 2	Notification Level 3
Not Networked	12	The system has detected a network trouble condition with one or more modules on the system. If the trouble does not restore within 20 minutes, call for service.	Zone	01	Zone label 001-248
			Keypad	02	Keypad 1-16
			Siren	03	Siren 1-16
			Repeater	04	Repeater 1-8
			User	05	Users 01-1000
AUX Trouble	13	The system has detected a trouble on the AUX terminal.	Zone	01	Zone
			Power Supply	05	Power Supply 1-8
			High-current O/P	06	Module 1-4
			System Area	07	n/a
			8 I/O Module	10	Module 1-30
			Bus Repeater	11	Repeater 1-8
			3A Power Supply Aux 1	12	Aux 1 Trouble
			3A Power Supply Aux 2	13	Aux 2 Trouble
Limited Exceeded	14	The system detects incompatibility with third-party firmware.	Interactive Zone	01	n/a
			Interactive Par	02	n/a

8.0 Access Codes

Master Code [01]: _____

Code	Access Code	Code	Access Code	Code	Access Code	Code	Access Code

Note: Copy this page as needed to record additional access codes.

9.0 Reference Sheets

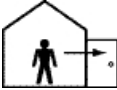
Fill out the following information for future reference and store this guide in a safe place.

9.1 System Information

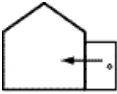
[F] FIRE

[M] MEDICAL

[P] PANIC



The Exit Delay Time is _____ seconds.



The Entry Delay Time is _____ seconds.

9.2 Service Contact Information

Central Station Information

Account #: _____ Telephone #: _____

Installer Information:

Company: _____ Telephone #: _____

Battery Installation / Service Date:

IMPORTANT: If you suspect a false alarm signal has been sent to the central monitoring station, call the station to avoid an unnecessary response.

10.0 Safety Instructions

North America

This equipment is cord connected, pluggable Type A, stationary with a non-detachable power supply cord and must be installed by skilled persons only (persons who have training or experience in the equipment technology, particularly in knowing the various energies and energy magnitudes used in the equipment). It must be installed and used within an environment that has maximum pollution degree of 2, over-voltages category II, in non-hazardous, indoor locations only.

WARNING! This equipment has no mains on/off switch; if the equipment must be quickly disconnected, the plug of the power supply cord serves as a means of disconnection; it is imperative that access to the mains plug and associated mains socket/outlet is never obstructed.

International (EU, Australia, New Zealand)

This equipment is stationary-fixed and must be installed by Skilled Person only (Skilled Person is defined as a person with relevant education or experience to enable him or her to identify hazards and to take appropriate actions to reduce the risks of injury to themselves and others). It must be installed and used within an environment that provides the pollution degree max 2, over voltages category II, in non-hazardous, indoor locations only.

WARNING! When using equipment connected to the mains and/or to the telecommunication network, there are basic safety instructions that should always be followed. Refer to the safety instructions provided with this product and save them for future reference. To reduce the risk of fire, electric shock and/or injury, observe the following.

- Do not attempt to open or service this product. Opening or removing the cover may expose you to dangerous voltage or other risks. Servicing must be done by skilled persons only.
- Use only authorized accessories with this equipment.
- Do not leave and/or deposit any object on the top of the cabinet of this equipment. The cabinet is not designed to support any supplementary weight.
- Do not touch the equipment and its connected cables during an electrical storm; there may be a risk of electric shock.
- Never touch uninsulated wires or terminals unless the equipment has been disconnected from the mains supply and from the telecommunication network.
- Ensure that cables are positioned so that accidents cannot occur. Connected cables must not be subject to excessive mechanical strain.
- Do not spill any type of liquid on the equipment.
- Do not use the alarm system to report a gas leak if the system is near a leak.
- This equipment contains no user-serviceable parts, except for the keypad batteries.
- Dispose of used batteries as per local rules and regulations.

These safety instructions should not prevent you from contacting the distributor and/or the manufacturer to obtain any further clarification and/or answers to any concerns.

11.0 Locating Detectors and Escape Plan

The following information is for general guidance only and it is recommended that local fire codes and regulations be consulted when locating and installing smoke and CO alarms.

11.1 Smoke Detectors

Research has shown that all hostile fires generate smoke to a greater or lesser extent. Experiments with typical fires in homes indicate that detectable quantities of smoke precede detectable levels of heat in most cases. For these reasons, smoke alarms should be installed outside of each sleeping area and on each storey of the home.

The following information is for general guidance only and it is recommended that local fire codes and regulations be consulted when locating and installing smoke alarms.

It is recommended that additional smoke alarms beyond those required for minimum protection be installed. Additional areas that should be protected include: the basement; bedrooms, especially where smokers sleep; dining rooms; furnace and utility rooms; and any hallways not protected by the required units. On smooth ceilings, detectors may be spaced 9.1m (30 feet) apart as a guide. Other spacing may be required depending on ceiling height, air movement, the presence of joists, uninsulated ceilings, etc. Consult National Fire Alarm Code NFPA 72, CAN/ULC-S553-02 or other appropriate national standards for installation recommendations.

- Do not locate smoke detectors at the top of peaked or gabled ceilings; the dead air space in these locations may prevent the unit from detecting smoke.
- Avoid areas with turbulent air flow, such as near doors, fans or windows. Rapid air movement around the detector may prevent smoke from entering the unit.
- Do not locate detectors in areas of high humidity.
- Do not locate detectors in areas where the temperature rises above 38°C (100°F) or falls below 5°C (41°F).
- Smoke detectors must always be installed in USA in accordance with Chapter 29 of NFPA 72, the National Fire Alarm Code: 29.5.1.1.

Where required by applicable laws, codes, or standards for a specific type of occupancy, approved single- and multiple-station smoke alarms shall be installed as follows:

1. In all sleeping rooms and guest rooms.
2. Outside of each separate dwelling unit sleeping area, within 6.4 m (21 ft) of any door to a sleeping room, the distance measured along a path of travel.
3. On every level of a dwelling unit, including basements.
4. On every level of a residential board and care occupancy (small facility), including basements and excluding crawl spaces and unfinished attics.
5. In the living area(s) of a guest suite.
6. In the living area(s) of a residential board and care occupancy (small facility).

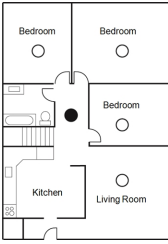


Figure 1

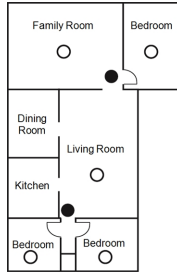


Figure 2

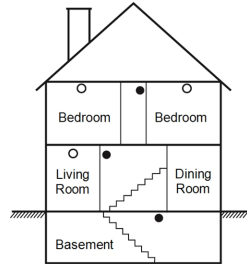


Figure 3

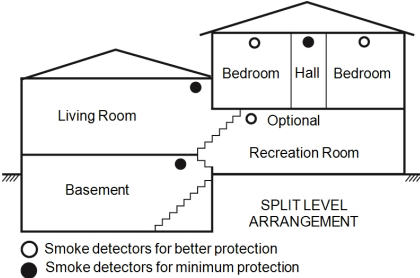


Figure 3a

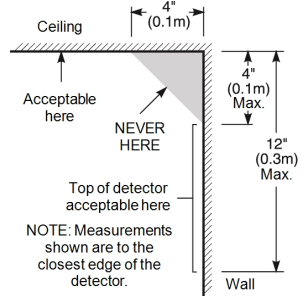


Figure 4

11.2 Fire Escape Planning

There is often very little time between the detection of a fire and the time it becomes deadly. It is very important that an emergency escape plan be developed and rehearsed.

- Study the possible escape routes from each location within the house. Since many fires occur at night, special attention should be given to the escape routes from sleeping quarters.
- Escape from a bedroom must be possible without opening the interior door.

Consider the following when making your escape plans:

- Make sure that all border doors and windows are easily opened. Ensure that they are not painted shut, and that their locking mechanisms operate smoothly.
- If opening or using the exit is too difficult for children, the elderly or handicapped, plans for rescue should be developed. This includes making sure that those who are to perform the rescue can promptly hear the fire warning signal.
- If the exit is above the ground level, an approved fire ladder or rope should be provided as well as training in its use.
- Exits on the ground level should be kept clear. Be sure to remove snow from exterior patio doors in winter; outdoor furniture or equipment should not block exits.
- Each person should know the predetermined assembly point where everyone can be accounted for (e.g., across the street or at a neighbor's house). Once everyone is out of the building, call the fire department.
- A good plan emphasizes quick escape. Do not investigate or attempt to fight the fire, and do not gather belongings as this can waste valuable time. Once outside, do not re-enter the house. Wait for the fire department.

- Write the fire escape plan down and rehearse it frequently so that should an emergency arise, everyone will know what to do. Revise the plan as conditions change, such as the number of people in the home, or if there are changes to the building's construction.
- Make sure your fire warning system is operational by conducting weekly tests. If you are unsure about system operation, contact your installer.

We recommend that you contact your local fire department and request further information on fire safety and escape planning. If available, have your local fire prevention officer conduct an in-house fire safety inspection.

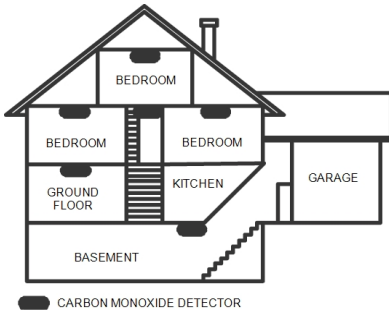


Figure 5

11.3 Carbon Monoxide Detectors

Carbon monoxide is colorless, odorless, tasteless, and very toxic, it also moves freely in the air. CO detectors can measure the concentration and sound a loud alarm before a potentially harmful level is reached. The human body is most vulnerable to the effects of CO gas during sleeping hours; therefore, CO detectors should be located in or as near as possible to sleeping areas of the home. For maximum protection, a CO alarm should be located outside primary sleeping areas or on each level of your home. Figure 5 indicates the suggested locations in the home.

Do NOT place the CO alarm in the following areas:

- Where the temperature may drop below -10°C or exceed 40°C
- Near paint thinner fumes
- Within 5 feet (1.5m) of open flame appliances such as furnaces, stoves and fireplaces
- In exhaust streams from gas engines, vents, flues or chimneys
- Do not place in close proximity to an automobile exhaust pipe; this will damage the detector

PLEASE REFER TO THE CO DETECTOR INSTALLATION AND OPERATING INSTRUCTION SHEET FOR SAFETY INSTRUCTIONS AND EMERGENCY INFORMATION.

12.0 Regulatory Agency Statements

12.1 FCC COMPLIANCE STATEMENT

CAUTION: Changes or modifications not expressly approved by Digital Security Controls could void your authority to use this equipment.

This equipment has been tested and found to comply with the limits for a Class B digital device, pursuant to Part 15 of the FCC Rules. These limits are designed to provide reasonable protection against harmful interference in a residential installation. This equipment generates, uses and can radiate radio frequency energy and, if not installed and used in accordance with the instructions, may cause harmful interference to radio communications. However, there is no guarantee that interference will not occur in a particular installation. If this equipment does cause harmful interference to radio or television reception, which can be determined by turning the equipment off and on, the user is encouraged to try to correct the interference by one or more of the following measures:

- Re-orient the receiving antenna.
- Increase the separation between the equipment and receiver.
- Connect the equipment into an outlet on a circuit different from that to which the receiver is connected.
- Consult the dealer or experienced radio/television technician for help.

The user may find the following booklet prepared by the FCC useful: 'How to Identify and Resolve Radio/Television Interference Problems'. This booklet is available from the U.S. Government Printing Office, Washington D.C. 20402, Stock # 004-000-00345-4.

The keypads represented in this manual can be used with the following Control Units: HS3032, HS3128, and HS3248

12.2 IMPORTANT INFORMATION

This equipment complies with Part 68 of the FCC Rules and, if the product was approved July 23, 2001 or later, the requirements adopted by the ACTA. On the side of this equipment is a label that contains, among other information, a product identifier. If requested, this number must be provided to the Telephone Company.

HS3032 Product Identifier US:F53AL01AHS3256

HS3128 Product Identifier US:F53AL01AHS3256

HS3248 Product Identifier US:F53AL01AHS3256

USOC Jack: RJ-31X

Telephone Connection Requirements

A plug and jack used to connect this equipment to the premises wiring and telephone network must comply with the applicable FCC Part 68 rules and requirements adopted by the ACTA. A compliant telephone cord and modular plug is provided with this product. It is designed to be connected to a compatible modular jack that is also compliant. See installation instructions for details.

Ringer Equivalence Number (REN)

The REN is used to determine the number of devices that may be connected to a telephone line. Excessive RENs on a telephone line may result in the devices not ringing in response to an incoming call. In most but not all areas, the sum of RENs should not exceed five (5.0). To be certain of the number of devices that may be connected to a line, as determined by the total RENs, contact the local Telephone Company. For products approved after July 23, 2001, the REN for this product is part of the product identifier that has the format US: AAAEQ##TXXXX. The digits represented by ## are the REN without a decimal point (e.g., 03 is a REN of 0.3). For earlier products, the REN is separately shown on the label.

12.3 Incidence of Harm

If this equipment causes harm to the telephone network, the telephone company will notify you in advance that temporary discontinuance of service may be required. But if advance notice is not practical, the Telephone Company will notify the customer as soon as possible. Also, you will be advised of your right to file a complaint with the FCC if you believe it is necessary.

12.4 Changes in Telephone Company Equipment or Facilities

The Telephone Company may make changes in its facilities, equipment, operations or procedures that could affect the operation of the equipment. If this happens the Telephone Company will provide advance notice in order for you to make necessary modifications to maintain uninterrupted service.

12.5 Equipment Maintenance Facility

If trouble is experienced with this equipment for repair or warranty information, contact the facility indicated below. If the equipment is causing harm to the telephone network, the Telephone Company may request that you disconnect the equipment until the problem is solved. This equipment is of a type that is not intended to be repaired by the end user. Tyco Atlanta Distribution Center, 2600 West Pointe Dr., Lithia Springs, GA 30122

12.6 Additional Information

Connection to party line service is subject to state tariffs. Contact the state public utility commission, public service commission or corporation commission for information. Alarm dialing equipment must be able to seize the telephone line and place a call in an emergency situation. It must be able to do this even if other equipment (telephone, answering system, computer modem, etc.) already has the telephone line in use. To do so, alarm dialing equipment must be connected to a properly installed RJ-31X jack that is electrically in series with and ahead of all other equipment attached to the same telephone line. Proper installation is depicted in the figure below. If you have any questions concerning these instructions, you should consult your telephone company or a qualified installer about installing the RJ-31X jack and alarm dialing equipment for you.

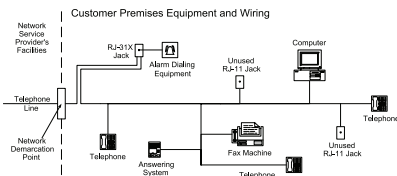


Figure 6

12.7 INNOVATION, SCIENCE & ECONOMIC DEVELOPMENT CANADA (ISED CANADA)

NOTICE: The models HS3032, HS3128, and HS3248 meet the applicable ISED Canada Terminal Equipment Technical Specifications. This is confirmed by the registration number. The abbreviation, ISED, before the registration number signifies that registration was performed based on a Declaration of Conformity indicating that ISED Canada technical specifications were met. It does not imply that ISED Canada approved the equipment.

The Ringer Equivalence Number (REN) for this terminal equipment is 0.1. The REN assigned to each terminal equipment provides an indication of the maximum number of terminals allowed to be connected to a telephone interface. The termination on an interface may consist of any combination of devices subject only to the requirement that the sum of the Ringer Equivalence Numbers of all devices does not exceed 5.

HS3032 Registration number IC:160A-HS3256

HS3128 Registration number IC:160A-HS3256

HS3248 Registration number IC:160A-HS3256

12.8 FCC AND ISED CANADA FOR WIRELESS KEYPADS

Warning: To comply with FCC and ISED Canada RF exposure compliance requirements, the HS2LCDRFPRO9 or HS2LCDWFPRO9, and HS2LCDWFVPRO9 keypads should be located at a distance of at least 20 cm from all persons during normal operation. The antennas used for this product must not be co-located or operated in conjunction with any other antenna or transmitter. This device complies with FCC Rules Part 15 and with ISED Canada license-exempt RSS standard (s). Operation is subject to the following two conditions: (1) This device may not cause harmful interference, and (2) this device must accept any interference that may be received or that may cause undesired operation.

IC:160A – HS2KRFP9

Models: HS2LCDRFPRO9, HS2LCDWFPRO9, HS2LCDWFVPRO9 (operating in 912-919MHz band) are compliant with applicable FCC Part 15.247 and IC RSS-210 rules.

The term “IC” before the radio certification number only signifies that ISED Canada technical specifications were met.

AVERTISSEMENT! Pour répondre aux exigences de conformité de la FCC et ISDE Canada sur les limites d'exposition aux radiofréquences (RF), les claviers HS2LCDRFPRO9 ou HS2LCDWFPRO9, HS2LCDWFVPRO9 doivent être installés à une distance minimale de 20 cm de toute personne lors de leur fonctionnement usuel. Ces derniers ne doivent pas être situés au même endroit, ni être en fonction avec une autre antenne ou un autre transmetteur. Le présent appareil est conforme aux CNR ISDE Canada applicables aux appareils radio exempts de licence. L'exploitation est autorisée aux deux conditions suivantes: (1) l'appareil ne doit pas produire de brouillage, et (2) l'utilisateur de l'appareil doit accepter tout brouillage radioélectrique subi, même si le brouillage est susceptible d'en compromettre le fonctionnement.

12.9 EN Compliance

This product meets the requirements of Class II, Grade 3 equipment as per EN 50131-1:2006 + A1:2009 +A2:2017 Standard. This product is suitable for use in systems with the following notification options:

- A (use of two remotely powered warning devices and single path SP3 internal dialer or Ethernet path or plug-in cellular module required),
- B (self powered warning device (wireless siren) and single path SP3 internal dialer or Ethernet path or plug-in cellular module required),
- C (dual path DP2 internal dialer and alternate Ethernet or plug-in cellular communicator required)
- D (single path SP4 internal Ethernet path or plug-in cellular communicator with encryption enabled required)
- E (dual path DP3 internal Ethernet path and plug-in cellular communicator required)

The Model HS3032, HS3128, and HS3248 Control panels have been certified by Telefication according to EN50131-1:2006 + A1:2009 +A2:2017, EN50131-3:2009 Type B, EN50131-6:2017 Type A, EN50131-10:2014 and EN50136-2:2013 for Grade 3, Class II, ATS Configurations SP3 (phone line path only), SP4 (Ethernet or cellular path only), DP2 (dual path with phone line primary path and Ethernet or Cellular secondary path) and DP3 (dual path with Ethernet or Cell primary path and Cellular or Ethernet as secondary path).

12.10 EUROPEAN CE COMPLIANCE STATEMENT

This product is in conformity with the Electromagnetic Compatibility Directive 2014/30/EU, the Low Voltage Directive 2014/35/EU, and the ROHS3 Directive (EU)2015/863.

SIMPLIFIED EU DECLARATION OF CONFORMITY

Hereby, Tyco Safety Products Canada Ltd declares that the radio equipment type is in compliance with Directive 2014/53/EU. The full text of the EU declarations of conformity for the models mentioned below are available at the following internet addresses:

HS2LCD(RF)PRO4: <http://dsc.com/pdf/1903008>

HS2LCD(RF)PRO8: <http://dsc.com/pdf/1903005>

HS2LCDWFPRO8_HS2LCDWF(V)PRO8: <http://dsc.com/pdf/1903006>

HS2LCDWF(V)PRO4: <http://dsc.com/pdf/1903007>

Frequency Band / Maximum Power

g1 433.22MHz – 434.62MHz/10mW

h1.4 868.0MHz – 868.6MHz/10mW

h1.5 868.7MHz – 869.2MHz/10mW

a3 119MHz – 135MHz - 66 db μ A/m @10m

European single point of contact: Tyco Safety Products, Voltaweg 20, 6101 XK Echt, Netherlands

13.0 EULA

IMPORTANT - READ CAREFULLY: DSC Software purchased with or without Products and Components is copyrighted and is purchased under the following license terms:

This End-User License Agreement (“EULA”) is a legal agreement between You (the company, individual or entity who acquired the Software and any related Hardware) and Digital Security Controls, a division of Tyco Safety Products Canada Ltd. (“DSC”), the manufacturer of the integrated security systems and the developer of the software and any related products or components (“HARDWARE”) which You acquired.

If the DSC software product (“SOFTWARE PRODUCT” or “SOFTWARE”) is intended to be accompanied by HARDWARE, and is NOT accompanied by new HARDWARE, You may not use, copy or install the SOFTWARE PRODUCT. The SOFTWARE PRODUCT includes computer software, and may include associated media, printed materials, and “online” or electronic documentation.

Any software provided along with the SOFTWARE PRODUCT that is associated with a separate end-user license agreement is licensed to You under the terms of that license agreement.

By installing, copying, downloading, storing, accessing or otherwise using the SOFTWARE PRODUCT, You agree unconditionally to be bound by the terms of this EULA, even if this EULA is deemed to be a modification of any previous arrangement or contract. If You do not agree to the terms of this EULA, DSC is unwilling to license the SOFTWARE PRODUCT to You, and You have no right to use it.

SOFTWARE PRODUCT LICENSE

The SOFTWARE PRODUCT is protected by copyright laws and international copyright treaties, as well as other intellectual property laws and treaties. The SOFTWARE PRODUCT is licensed, not sold.

1. GRANT OF LICENSE This EULA grants You the following rights:

(a) Software Installation and Use - For each license You acquire, You may have only one copy of the SOFTWARE PRODUCT installed.

(b) Storage/Network Use - The SOFTWARE PRODUCT may not be installed, accessed, displayed, run, shared or used concurrently on or from different computers, including a workstation, terminal or other digital electronic device (“Device”). In other words, if You have several workstations, You will have to acquire a license for each workstation where the SOFTWARE will be used.

(c) Backup Copy - You may make back-up copies of the SOFTWARE PRODUCT, but You may only have one copy per license installed at any given time. You may use the back-up copy solely for archival purposes. Except as expressly provided in this EULA, You may not otherwise make copies of the SOFTWARE PRODUCT, including the printed materials accompanying the SOFTWARE.

2. DESCRIPTION OF OTHER RIGHTS AND LIMITATIONS

(a) Limitations on Reverse Engineering, Decompilation and Disassembly - You may not reverse engineer, decompile, or disassemble the SOFTWARE PRODUCT, except and only to the extent that such activity is expressly permitted by applicable law notwithstanding this limitation. You may not make any changes or modifications to the Software, without the written permission of an officer of DSC. You may not remove any proprietary notices, marks or labels from the Software Product. You shall institute reasonable measures to ensure compliance with the terms and conditions of this EULA.

(b) Separation of Components - The SOFTWARE PRODUCT is licensed as a single product. Its component parts may not be separated for use on more than one HARDWARE unit.

(c) Single INTEGRATED PRODUCT - If You acquired this SOFTWARE with HARDWARE, then the SOFTWARE PRODUCT is licensed with the HARDWARE as a single integrated product. In this case, the SOFTWARE PRODUCT may only be used with the HARDWARE as set forth in this EULA.

(d) Rental - You may not rent, lease or lend the SOFTWARE PRODUCT. You may not make it available to others or post it on a server or web site.

(e) Software Product Transfer - You may transfer all of Your rights under this EULA only as part of a permanent sale or transfer of the

HARDWARE, provided You retain no copies, You transfer all of the SOFTWARE PRODUCT (including all component parts, the media and printed materials, any upgrades and this EULA), and provided the recipient agrees to the terms of this EULA. If the SOFTWARE PRODUCT is an upgrade, any transfer must also include all prior versions of the SOFTWARE PRODUCT.

(f) Termination - Without prejudice to any other rights, DSC may terminate this EULA if You fail to comply with the terms and conditions of this EULA. In such event, You must destroy all copies of the SOFTWARE PRODUCT and all of its component parts.

(g) Trademarks - This EULA does not grant You any rights in connection with any trademarks or service marks of DSC or its suppliers.

3. COPYRIGHT - All title and intellectual property rights in and to the SOFTWARE PRODUCT (including but not limited to any images, photographs, and text incorporated into the SOFTWARE PRODUCT), the accompanying printed materials, and any copies of the SOFTWARE PRODUCT, are owned by DSC or its suppliers. You may not copy the printed materials accompanying the SOFTWARE PRODUCT. All title and intellectual property rights in and to the content which may be accessed through use of the SOFTWARE PRODUCT are the property of the respective content owner and may be protected by applicable copyright or other intellectual property laws and treaties. This EULA grants You no rights to use such content. All rights not expressly granted under this EULA are reserved by DSC and its suppliers.

4. EXPORT RESTRICTIONS - You agree that You will not export or re-export the SOFTWARE PRODUCT to any country, person, or entity subject to Canadian export restrictions.

5. CHOICE OF LAW - This Software License Agreement is governed by the laws of the Province of Ontario, Canada.

6. ARBITRATION - All disputes arising in connection with this Agreement shall be determined by final and binding arbitration in accordance with the Arbitration Act, and the parties agree to be bound by the arbitrator's decision. The place of arbitration shall be

Toronto, Canada, and the language of the arbitration shall be English.

7. LIMITED WARRANTY

(a) NO WARRANTY - DSC PROVIDES THE SOFTWARE "AS IS" WITHOUT WARRANTY. DSC DOES NOT WARRANT THAT THE SOFTWARE WILL MEET YOUR REQUIREMENTS OR THAT OPERATION OF THE SOFTWARE WILL BE UNINTERRUPTED OR ERROR-FREE.

(b) CHANGES IN OPERATING ENVIRONMENT - DSC shall not be responsible for problems caused by changes in the operating characteristics of the HARDWARE, or for problems in the interaction of the SOFTWARE PRODUCT with non-DSC-SOFTWARE or HARDWARE PRODUCTS.

(c) LIMITATION OF LIABILITY; WARRANTY REFLECTS ALLOCATION OF RISK - IN ANY EVENT, IF ANY STATUTE IMPLIES WARRANTIES OR CONDITIONS NOT STATED IN THIS LICENSE AGREEMENT, DSC'S ENTIRE LIABILITY UNDER ANY PROVISION OF THIS LICENSE AGREEMENT SHALL BE LIMITED TO THE GREATER OF THE AMOUNT ACTUALLY PAID BY YOU TO LICENSE THE SOFTWARE PRODUCT AND FIVE CANADIAN DOLLARS (CAD\$5.00). BECAUSE SOME JURISDICTIONS DO NOT ALLOW THE EXCLUSION OR LIMITATION OF LIABILITY FOR CONSEQUENTIAL OR INCIDENTAL DAMAGES, THE ABOVE LIMITATION MAY NOT APPLY TO YOU.

(d) DISCLAIMER OF WARRANTIES - THIS WARRANTY CONTAINS THE ENTIRE WARRANTY AND SHALL BE IN LIEU OF ANY AND ALL OTHER WARRANTIES, WHETHER EXPRESSED OR IMPLIED (INCLUDING ALL IMPLIED WARRANTIES OF MERCHANTABILITY OR FITNESS FOR A PARTICULAR PURPOSE) AND OF ALL OTHER OBLIGATIONS OR LIABILITIES ON THE PART OF DSC. DSC MAKES NO OTHER WARRANTIES. DSC NEITHER ASSUMES NOR AUTHORIZES ANY OTHER PERSON PURPORTING TO ACT ON ITS BEHALF TO MODIFY OR TO CHANGE THIS WARRANTY, NOR TO ASSUME FOR IT

ANY OTHER WARRANTY OR LIABILITY CONCERNING THIS SOFTWARE PRODUCT.

(e) EXCLUSIVE REMEDY AND LIMITATION OF WARRANTY - UNDER NO CIRCUMSTANCES SHALL DSC BE LIABLE FOR ANY SPECIAL, INCIDENTAL, CONSEQUENTIAL OR INDIRECT DAMAGES BASED UPON BREACH OF WARRANTY, BREACH OF CONTRACT, NEGLIGENCE, STRICT LIABILITY, OR ANY OTHER LEGAL THEORY. SUCH DAMAGES INCLUDE, BUT ARE NOT LIMITED TO, LOSS OF PROFITS, LOSS OF THE SOFTWARE PRODUCT OR ANY ASSOCIATED EQUIPMENT, COST OF CAPITAL, COST OF SUBSTITUTE OR REPLACEMENT EQUIPMENT, FACILITIES OR SERVICES, DOWN TIME, PURCHASERS TIME, THE CLAIMS OF THIRD PARTIES, INCLUDING CUSTOMERS, AND INJURY TO PROPERTY.

WARNING: DSC recommends that the entire system be completely tested on a regular basis. However, despite frequent testing, and due to, but not limited to, criminal tampering or electrical disruption, it is possible for this SOFTWARE PRODUCT to fail to perform as expected.

Always ensure you obtain the latest version of the User Guide. Updated versions of this User Guide are available by contacting your distributor.

© 2018 Tyco Security Products. All Rights Reserved.
• www.dsc.com

The trademarks, logos, and service marks displayed on this document are registered in the United States [or other countries]. Any misuse of the trademarks is strictly prohibited and Tyco Security Products will aggressively enforce its intellectual property rights to the fullest extent of the law, including pursuit of criminal prosecution wherever necessary. All trademarks not owned by Tyco Security Products are the property of their respective owners, and are used with permission or allowed under applicable laws.

Product offerings and specifications are subject to change without notice. Actual products may vary from photos. Not all products include all features. Availability varies by region; contact your sales representative.



29010103R002